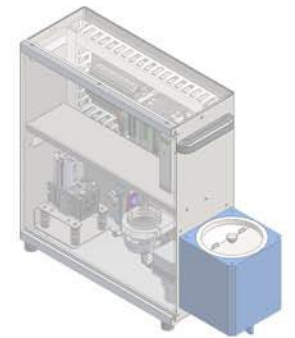
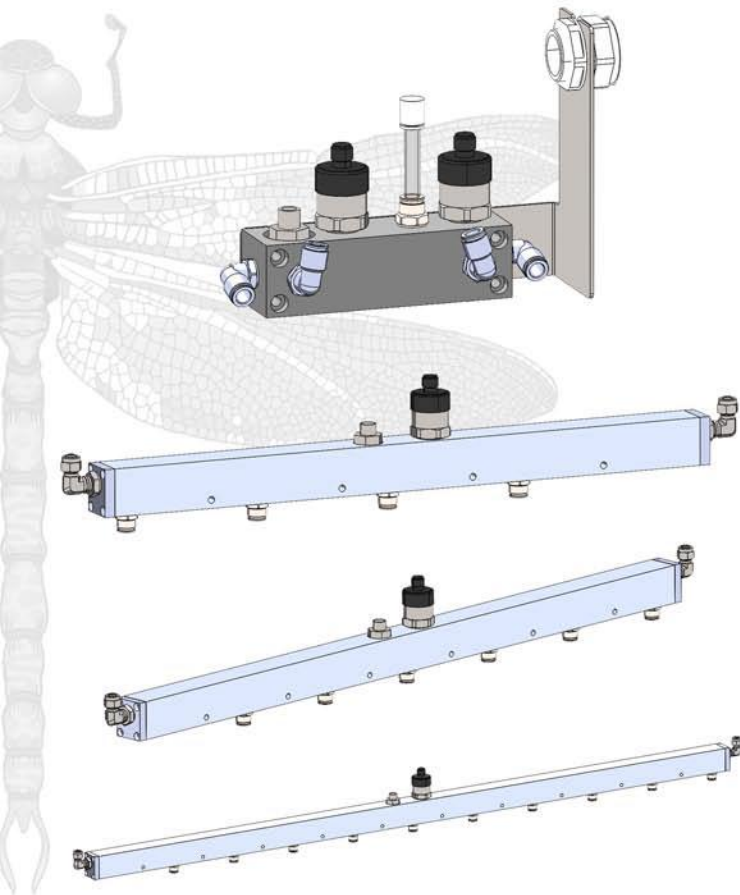


## **CONTROLINK DIGITAL AUTONOMOUS or REMOTE INK SYSTEMS for INTEGRATORS**

### **MAIN FEATURES**

- Immediate integration, ready to connect and start working.
- Ink circuit with real recirculation, even when the head does not have recirculation.
- Allows you to work with any brand and model of head.
- Ink manifold available for 2, 4, 8 and 12 heads.
- All ink control elements are located in the manifold, for perfect management.
- Gear pumps that avoid the "wave" effect in the ink circuit, with PID management.
- Independent pumps for PRESSURE and VACUUM, which allows working with any type of ink, at different heights.
- System designed for easy and quick cleaning.
- Allows you to save specific recipes.
- Available for water-based, oil/solvent-based and UV-based inks.
- Compatible with other printing systems.





## CONTROLINK PROFESSIONAL INK SYSTEMS

TECHNICAL CHARACTERISTICS							
MODEL	VOLTAGE	POWER	WEIGHT	HIGH	WIDTH	LENGHT	WORKING TEMPERATURE
CONTROLINK Digital	230V AC 50-60 Hertz	0,75 Kilowatt	20 Kilograms	565 millimeters	620 millimeters	310 millimeters	between 10 y 60 degrees celsius
CONTROLINK Module	230V AC 50-60 Hertz	0,75 Kilowatt	20 Kilograms	467 millimeters	240 millimeters	562 millimeters	between 10 y 60 degrees celsius

- \* When ordering, don't forget:
- Indicate the type of ink
  - Number of heads to connect

